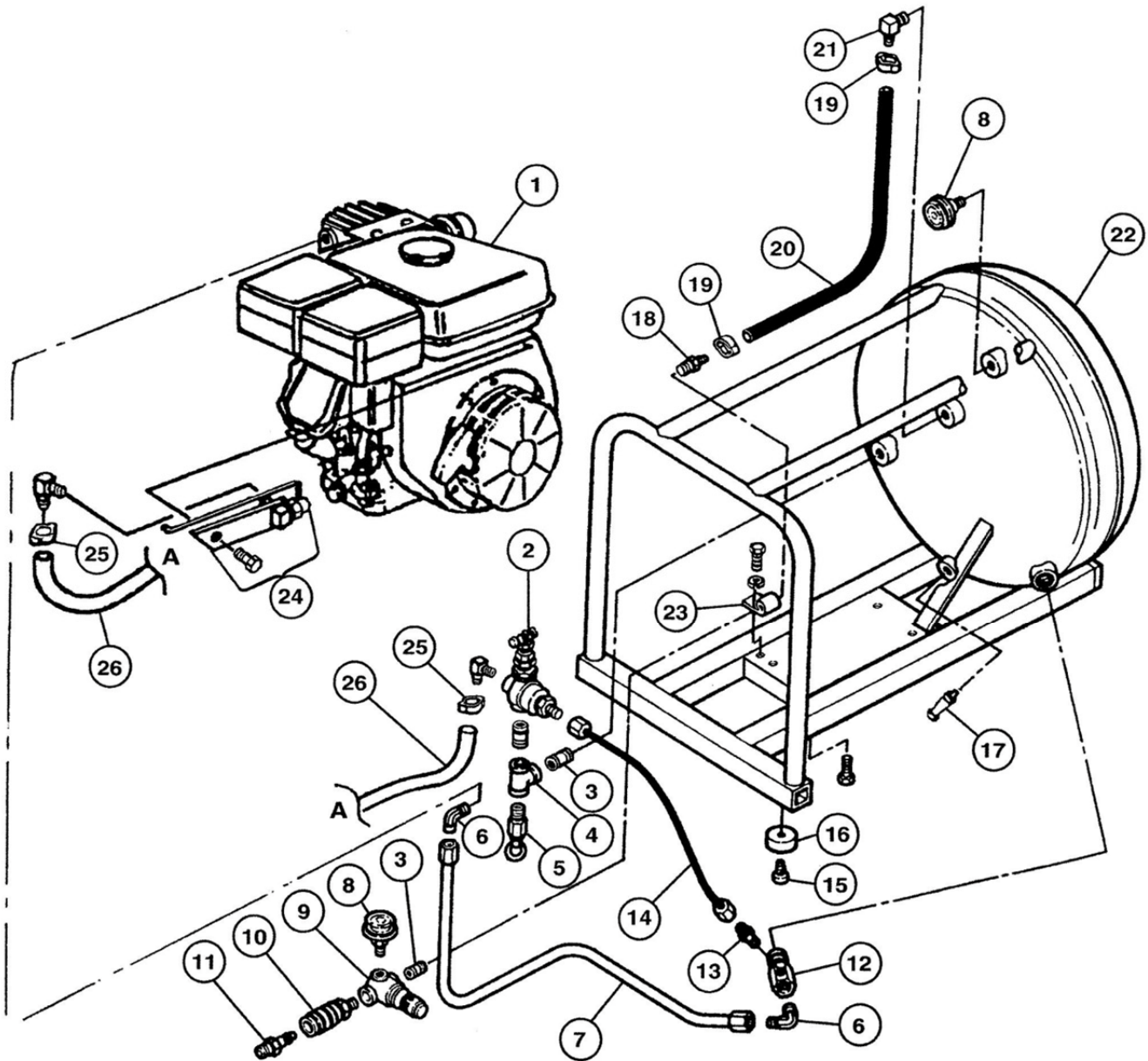
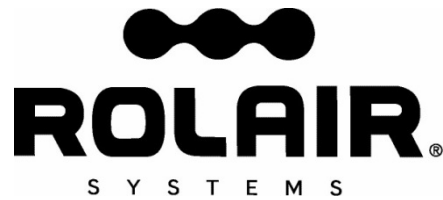


ROLAIR®

SCHEMATIC FOR MODELS
GD4000PV5H
GD4500PV5R





**PARTS LIST FOR MODELS
GD4000PV5H
GD4500PV5R**

Schematic #	Description	Part #	Qty.
1	Pump - Less Engine	PMP11MK238FI	1
	Honda Engine – GD4000PV5H	ENG04H01	1
	Robin Engine – GD4500PV5R	ENG04R01	1
2	Pilot Unloader Valve	131B	1
3	Nipple	BLNP0250X0875	1
4	Tee	BLTE0250	1
5	Safety Valve	SRV0250N165	1
6	Brass Elbow	BREL0500X037539	2
7	Discharge Tube	GD4000PV5H-DISCH TB	1
8	Gauge	GA0125200	2
9	Regulator	REG0250M	1
10	Quick Disconnect	308	1
11	Coupler Plug	310	1
12	Check Valve	CV3X4T	1
13	Brass Straight	BRST0250X012538	1
14	1/4" Nylon Tubing – 16"	178D	1.25'
	Brass Ring	BRRG0250	2
	Brass Nut	BRNT0250	2
	Brass Sleeve	BRSL0250	2
15	Screw	MIS10093C	6
16	Rubber Foot	219B	6
17	Drain Valve	132B	1
18	Brass Coupler	BRCP0250X0250H12	1
19	Hose Clamp	177	2
20	1/4" Rubber Hose – 18"	178	1.5'
21	Brass Coupler	BREL0250X0250H16	1
22	Tank Assembly	TNKASYGDPV5	1
23	Accessory Bracket	212	1
24	Throttle Control Kit – Honda Robin	192EGX120K1QX	1
		192EEX130D50020	1
25	Hose Clamp	177	2
26	1/4" Rubber Hose – 18"	178	1.5'

