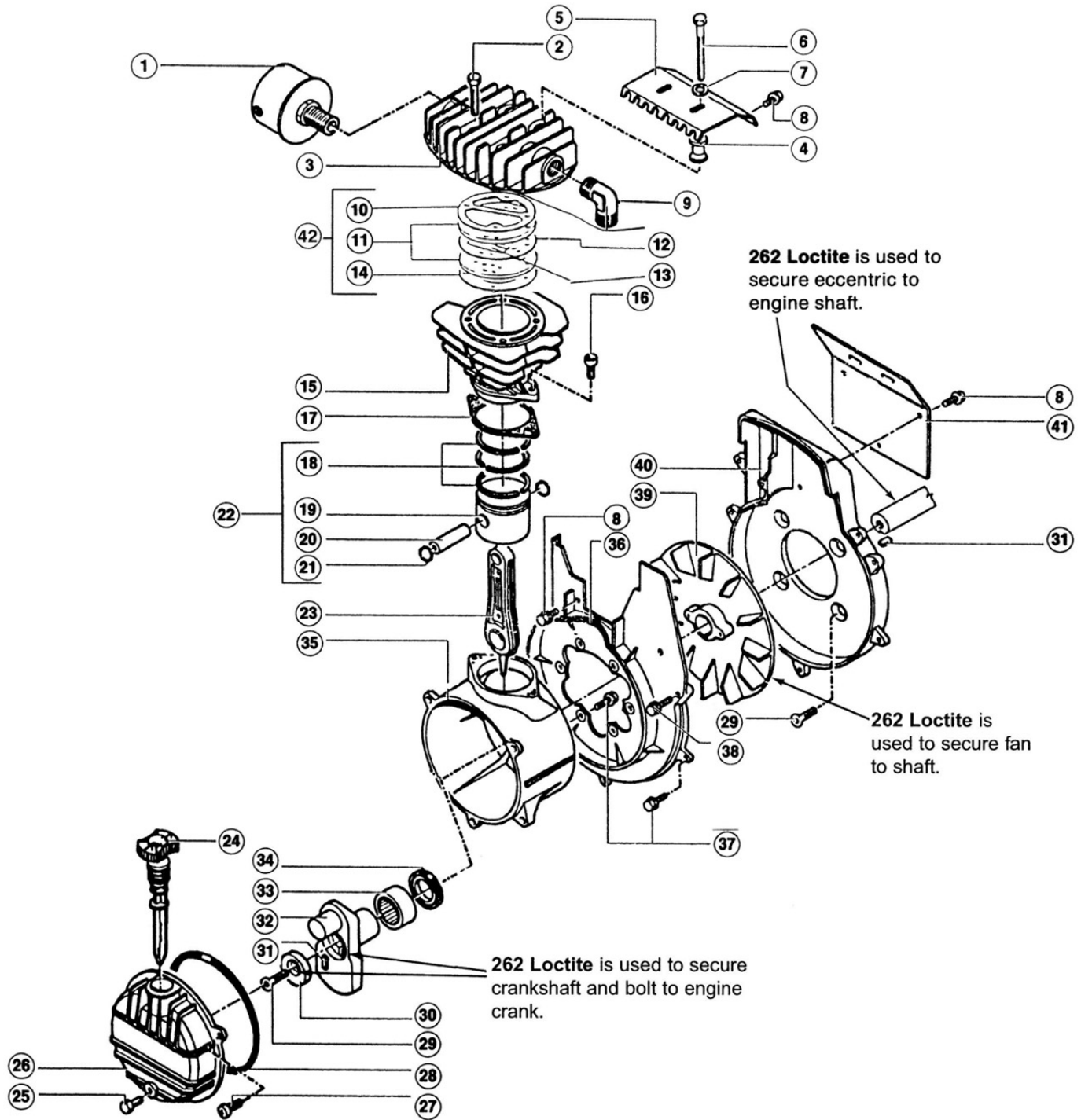
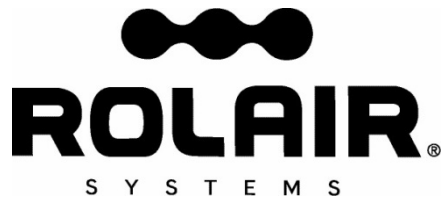


ROLAIR®

SCHMATIC FOR
PMP11MK238FI





PARTS LIST FOR PMP11MK238FI

Schematic #	Description	Part #	Qty.
1	Intake Filter Assembly	317013000F	1
	Filter Element	317013004FE	1
2	Bolt	014002021F	2
3	Head	116069001F	1
4	Spacer	116060015F	2
5	Air Baffle	116060007F	1
6	Bolt	MIS10035	2
7	Washer	MIS10102	2
8	Screw	MIS10036	6
9	Brass Elbow	BREL0500X037539	1
10	Gasket	116022009F	1
11	Valve Plate	116022013F	2
12	Gasket	116022012F	1
13	Valve	116022038F	2
14	Gasket	116022010F	1
15	Cylinder	116022001F	1
16	Bolt	MIS10049	2
17	O-Ring	010114000F	1
18	Ring Set	216022002F	1
19	Piston	116022004F	1
20	Piston Pin	116022040F	1
21	Snap Ring	015001000F	2
22	Piston Assembly	416022004F	1
23	Connecting Rod	116091021F	1
24	Dipstick	012035000F	1
25	Drain Plug	014013024F	1
26	Crankcase Cover	116022006F	1
27	Screw	MIS10036	3
28	Diaphragm	116001025F	1
29	Screw	MIS10033	5
30	Washer	116060005F	1
31	Keystock	116060006F	2
32	Crankshaft	116060001F (SPECIFY MODEL)	1
33	Bearing	033058000F	1
34	Seal	010060000F	1
35	Crankcase	116060011F	1
36	Air Baffle/Mounting Plate - Pump	116060003F	1
37	Screw	MIS10037	11
38	Screw	MIS10038	2
39	Fan	016060002F	1
40	Air Baffle/Mounting Plate - Engine	116060004F	1
41	Air Baffle	116060010F	1
42	Valve Plate Assembly	116022100F	1
	Gasket Set	216032001F	1

