

**IMPORTANT:**  
**Read Before Using**

**IMPORTANT :**  
**Lire avant usage**

**IMPORTANTE:**  
**Leer antes de usar**



**Operating/Safety Instructions**  
**Consignes de fonctionnement/sécurité**  
**Instrucciones de funcionamiento y seguridad**

**1530**



**BOSCH**

**Call Toll Free  
for Consumer Information  
& Service Locations**

**Pour renseignement des  
consommateurs et centres  
de service, appelez au  
numéro gratuit :**

**Llame gratis para  
obtener información  
para el consumidor y  
ubicaciones de servicio**

**1-877-BOSCH99 (1-877-267-2499) [www.boschtools.com](http://www.boschtools.com)**

**For English  
See page 2**

**Parlez-vous français?  
Voir page 10**

**¿Habla español?  
Ver página 18**

## Power Tool Safety Rules

### **▲ WARNING**

**Read and understand all instructions.** Failure to follow all instructions listed below, may result in electric shock, fire and/or serious personal injury.

### SAVE THESE INSTRUCTIONS

#### Work Area

**Keep your work area clean and well lit.** Cluttered benches and dark areas invite accidents.

**Do not operate power tools in explosive atmospheres, such as in the presence of flammable liquids, gases, or dust.** Power tools create sparks which may ignite the dust or fumes.

**Keep by-standers, children, and visitors away while operating a power tool.** Distractions can cause you to lose control.

#### Electrical Safety

**Double Insulated tools are equipped with a polarized plug (one blade is wider than the other.) This plug will fit in a polarized outlet only one way. If the plug does not fit fully in the outlet, reverse the plug. If it still does not fit, contact a qualified electrician to install a polarized outlet. Do not change the plug in any way.** Double Insulation  eliminates the need for the three wire grounded power cord and grounded power supply system. *Before plugging in the tool, be certain the outlet voltage supplied is within the voltage marked on the nameplate. Do not use "AC only" rated tools with a DC power supply.*

**Avoid body contact with grounded surfaces such as pipes, radiators, ranges and refrigerators.** There is an increased risk of electric shock if your body is grounded. If operating the power tool in damp locations is unavoidable, a Ground Fault Circuit Interrupter must be used to supply the power to your tool. Electrician's rubber gloves and footwear will further enhance your personal safety.

**Don't expose power tools to rain or wet conditions.** Water entering a power tool will increase the risk of electric shock.

**Do not abuse the cord. Never use the cord to carry the tools or pull the plug from an outlet. Keep cord away from heat,**

**oil, sharp edges or moving parts. Replace damaged cords immediately.** Damaged cords increase the risk of electric shock.

**When operating a power tool outside, use an outdoor extension cord marked "W-A" or "W."** These cords are rated for outdoor use and reduce the risk of electric shock. Refer to "Recommended sizes of Extension Cords" in the Accessory section of this manual.

#### Personal Safety

**Stay alert, watch what you are doing and use common sense when operating a power tool. Do not use tool while tired or under the influence of drugs, alcohol, or medication.** A moment of inattention while operating power tools may result in serious personal injury.

**Dress properly. Do not wear loose clothing or jewelry. Contain long hair. Keep your hair, clothing, and gloves away from moving parts.** Loose clothes, jewelry, or long hair can be caught in moving parts. Keep handles dry, clean and free from oil and grease.

**Avoid accidental starting. Be sure switch is "OFF" before plugging in.** Carrying tools with your finger on the switch or plugging in tools that have the switch "ON" invites accidents.

**Remove adjusting keys or wrenches before turning the tool "ON".** A wrench or a key that is left attached to a rotating part of the tool may result in personal injury.

**Do not overreach. Keep proper footing and balance at all times.** Proper footing and balance enables better control of the tool in unexpected situations.

**Use safety equipment. Always wear eye protection.** Dust mask, non-skid safety shoes, hard hat, or hearing protection must be used for appropriate conditions.

## Tool Use and Care

**Use clamps or other practical way to secure and support the workpiece to a stable platform.** Holding the work by hand or against your body is unstable and may lead to loss of control.

**Do not force tool. Use the correct tool for your application.** The correct tool will do the job better and safer at the rate for which it is designed.

**Do not use tool if switch does not turn it "ON" or "OFF".** Any tool that cannot be controlled with the switch is dangerous and must be repaired.

**Disconnect the plug from the power source before making any adjustments, changing accessories, or storing the tool.** Such preventive safety measures reduce the risk of starting the tool accidentally. **Store idle tools out of reach of children and other untrained persons.** Tools are dangerous in the hands of untrained users.

**Maintain tools with care. Keep cutting tools sharp and clean.** Properly maintained tools, with sharp cutting edges are less likely to bind and are easier to control. Any alteration or modification is a misuse and may result in a dangerous condition.

**Check for misalignment or binding of moving parts, breakage of parts, and any**

**other condition that may affect the tools operation. If damaged, have the tool serviced before using.** Many accidents are caused by poorly maintained tools. Develop a periodic maintenance schedule for your tool.

**Use only accessories that are recommended by the manufacturer for your model.** Accessories that may be suitable for one tool, may become hazardous when used on another tool.

## Service

**Tool service must be performed only by qualified repair personnel.** Service or maintenance performed by unqualified personnel could result in a risk of injury. For example: internal wires may be misplaced or pinched, safety guard return springs may be improperly mounted.

**When servicing a tool, use only identical replacement parts. Follow instructions in the Maintenance section of this manual.** Use of unauthorized parts or failure to follow Maintenance Instructions may create a risk of electric shock or injury. Certain cleaning agents such as gasoline, carbon tetrachloride, ammonia, etc. may damage plastic parts.

## Safety Rules for Nibblers

**Always unplug the tool from the power source before changing accessories or making any adjustments.** Accidental start up may occur causing serious personal injury.

**Always wear safety goggles or eye protection when using this tool. Wear leather gloves and safety shoes.** Leather gloves and safety shoes will protect hands from sharp metal edges and feet from sharp metal pieces.

**Secure the material being cut. Never hold small pieces in your hand or across your legs. Do not touch punch and die during use of the nibbler.** Contact with the punch and die may cause a laceration or crush injury.

**Periodically check tool fasteners for looseness and tighten as required.** The

vibration of the nibbler may cause fasteners to occasionally loosen.

**Do not cut material greater than the rated capacity of the nibbler.** Cutting material thicker than the capacity will cause damage to punch and die set.

**Do not use dull or damaged punch and dies or accessories not intended for a nibbler. Replace worn punches and dies.** Dull or damaged bits have a greater tendency to bind in the workpiece.

**When removing the punch/die set from the tool avoid contact with skin and use proper protective gloves when grasping the bit or accessory.** Accessories may be hot after prolonged use.

**⚠ WARNING** Some dust created by power sanding, sawing, grinding, drilling, and other construction activities contains chemicals known to cause cancer, birth defects or other reproductive harm. Some examples of these chemicals are:


- Lead from lead-based paints,
- Crystalline silica from bricks and cement and other masonry products, and

- Arsenic and chromium from chemically-treated lumber.

Your risk from these exposures varies, depending on how often you do this type of work. To reduce your exposure to these chemicals: work in a well ventilated area, and work with approved safety equipment, such as those dust masks that are specially designed to filter out microscopic particles.

## Symbols

**IMPORTANT:** Some of the following symbols may be used on your tool. Please study them and learn their meaning. Proper interpretation of these symbols will allow you to operate the tool better and safer.

Symbol	Name	Designation/Explanation
V	Volts	Voltage (potential)
A	Amperes	Current
Hz	Hertz	Frequency (cycles per second)
W	Watt	Power
kg	Kilograms	Weight
min	Minutes	Time
s	Seconds	Time
∅	Diameter	Size of drill bits, grinding wheels, etc.
n <sub>0</sub>	No load speed	Rotational speed, at no load
.../min	Revolutions or reciprocation per minute	Revolutions, strokes, surface speed, orbits etc. per minute
0	Off position	Zero speed, zero torque...
1, 2, 3, ... I, II, III,	Selector settings	Speed, torque or position settings. Higher number means greater speed
0 ◀	Infinitely variable selector with off	Speed is increasing from 0 setting
→	Arrow	Action in the direction of arrow
~	Alternating current	Type or a characteristic of current
≡	Direct current	Type or a characteristic of current
~	Alternating or direct current	Type or a characteristic of current
□	Class II construction	Designates Double Insulated Construction tools.
⊕	Earthing terminal	Grounding terminal
⚠	Warning symbol	Alerts user to warning messages
	Ni-Cad RBRC seal	Designates Ni-Cad battery recycling program



This symbol designates that this tool is listed by Underwriters Laboratories.



This symbol designates that this tool is listed to Canadian Standards by Underwriters Laboratories.



This symbol designates that this tool complies to NOM Mexican Standards.



This symbol designates that this tool is listed by the Canadian Standards Association.

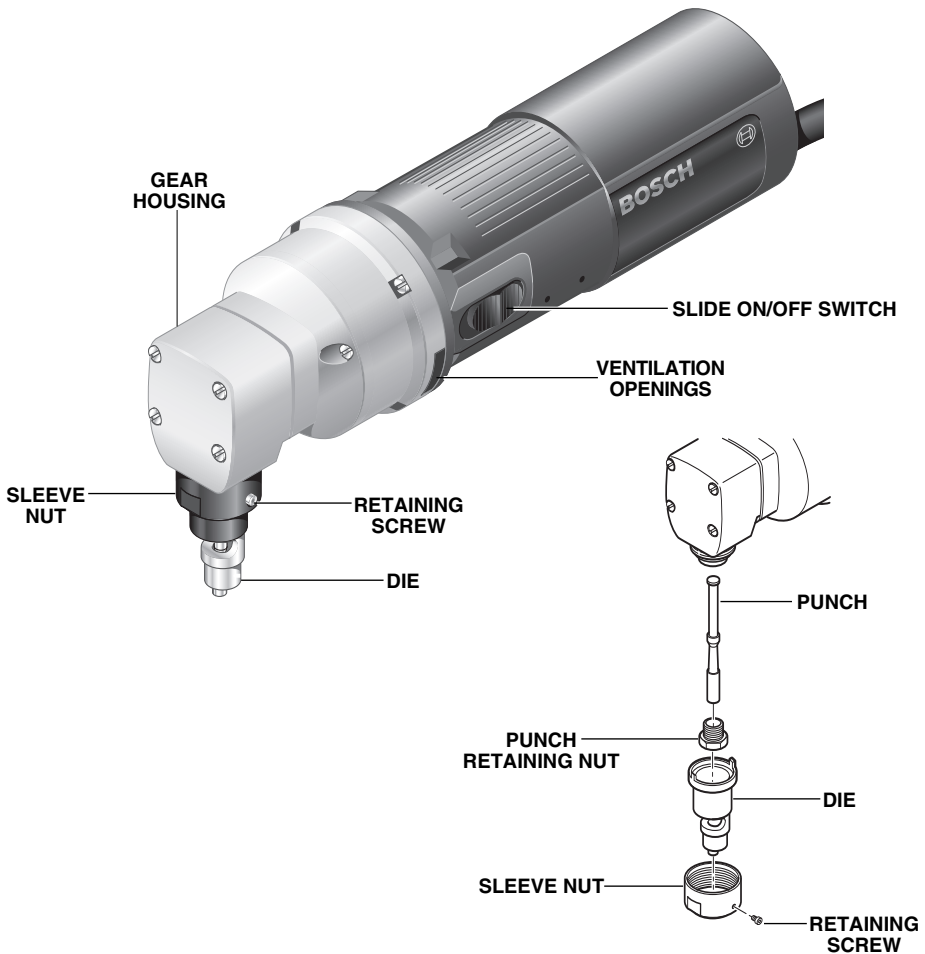


This symbol designates that this tool is listed by Underwriters Laboratories, and listed to Canadian Standards by Underwriters Laboratories.

## Functional Description and Specifications

**WARNING** Disconnect the plug from the power source before making any assembly, adjustments or changing accessories. Such preventive safety measures reduce the risk of starting the tool accidentally.

### Nibbler



#### Nibbler Capacities:

Material	Intermittent	Continuous
Mild Steel	14 Ga (.075")	16 Ga. (.060")
Most Alum.	(0.100")	18 Ga (.048")
Some stainless	16 Ga. (.060")	

## Assembly

### CHANGING PUNCHES AND DIES

#### Changing Dies

1. Loosen retaining screw. This screw locks the die in one position.
2. After loosening the retaining screw, unscrew the sleeve nut with a 1 1/4" (32mm) spanner wrench.
3. Remove the sleeve nut along with the die.
4. Lubricate the sleeve nut, and the die with a light weight oil and reassemble in reverse order.

#### Changing Punches

1. Loosen retaining screw and unscrew sleeve nut with a 1 1/4" (32mm) spanner wrench.

2. Remove the sleeve nut along with the die.
3. Unscrew the punch retaining nut, and slide the punch from the gear housing.
4. Insert a new, well oiled punch, and reassemble in reverse order.

### CHANGING THE DIE POSITION 3-POSITION DIE

1. Loosen retaining screw and remove sleeve nut along with die.
2. Rotate die to any one of the fixed positions in the gear housing.
3. Reinstall sleeve nut, and tighten retaining screw.

## Operating Instructions

### GENERAL INFORMATION

Following a few simple tips will reduce wear on the tool and the chance of injury to the user.

With the tool unplugged from the power supply and the ON/OFF Switch in the "OFF" position, become familiar with handling the nibbler and learning the location of its parts.

Before running the nibbler, inspect the punch and die for excessive wear, and replace if necessary.

Do not exceed recommended capacities for this nibbler. Premature punch and die failure will occur when the nibbler is under- or over-gaged.

Never start the nibbler with the punch and die in contact with the material being cut.

For clean and fast cuts, hold the nibbler so that the cutting head is at a right angle to the cutting path, with the body of the tool parallel to the corrugations. Move the cutting head in and out of the corrugations, constantly keeping the head at a right angle to the material being cut.

Feed the nibbler into the work with a minimum of pressure. Let the nibbler do the work. If the nibbler doesn't cut correctly, check for a dull punch or die. Dulling will be apparent as more

pressure is required to feed the nibbler into the material. Burrs will also show along the cut edge. A harder material will dull the punch and die faster than a soft material.

Always direct the cord toward the rear, and away from the nibbler. Keep it away from sharp edges.

Secure or clamp small workpieces to be cut to prevent slippage.

Always use recommended lubricant for the material being cut. Lack of lubricant will shorten punch and die life.

### SLIDE "ON-OFF" SWITCH

The Tool is switched "ON" by the slide switch located at the side of the motor housing.

TO TURN TOOL "ON": slide the switch forward.

TO TURN TOOL "OFF": slide the switch backward.

Start the tool before applying to work and let the tool come to full speed before contacting the workpiece. Lift the tool from the work before releasing the switch. DO NOT turn the switch "ON" and "OFF" while the tool is under load; this will greatly decrease the switch life.

### PUNCH AND DIE LUBRICATION

Proper lubrication is essential to prolong punch and die life, and is achieved by occasionally fully submersing the punch and die in a small container of the proper lubricant.

To further ensure a smooth cut and long punch life, always lubricate the cutting path with cutting oil. When cutting steel or stainless steel, lubricate path of cut before starting work. When cutting aluminum, lubricate path of cut while making the cut. Since the punch cuts on

the downstroke, the upper side of the cut should be lubricated.

When cutting steel, use a cutting oil or an SAE 30 weight oil.

When cutting aluminum, a mixture of 7 parts kerosene and 3 parts turpentine should be used.

Should punch jam, immediately switch off nibbler, re-lubricate punch and die, and remove tension from sheet.

### Tool Tips

The corrugated nibbler is especially designed for working with corrugated sheets of both trapezoidal and rectangular profiles.

Always use both hands to guide the nibbler.

Do not use force; this will lead to premature die and punch wear.

Before running the nibbler, be sure the punch and die are properly lubricated. See "Punch and Die Lubrication" section.

Never start the nibbler with the punch and die in contact with the material being cut.

Always be sure material is resting on lower die during operation.

**Nibbling to scribed lines** - For straight cutting, secure the die from rotating, by tightening the retaining screw. Straight cuts are easily made by guiding the nibbler along a ruler edge.

**Curve cutting** - For curve cutting, loosen the retaining screw. The die is then free to rotate and position itself in the direction of cut.

**Internal cuts** - For internal cuts, a starting hole of 9/16" (16mm) is required, so the die can be inserted.

**Nibbling to template** - The bottom of the die traces the template. Note that due to a distance of 3/16" (4.5mm) between the template and cutting edge of the die on either side, the cut-out and template size do not correspond exactly. The retaining screw must be loosened.

**Freehand cutting** - For easy movement of die about the punch, additional accessories are required. Accessory die holder and dies for corrugated or flat stock may be purchased from your Bosch distributor. See the Bosch Catalog for accessory part numbers.



## Maintenance

**Service**  
**⚠ WARNING** Preventive maintenance performed by unauthorized personnel may result in misplacing of internal wires and components which could cause serious hazard. We recommend that all tool service be performed by a Bosch Factory Service Center or Authorized Bosch Service Station.

**TOOL LUBRICATION**  
 Your Bosch tool has been properly lubricated and is ready to use. It is recommended that tools with gears be regreased with a special gear lubricant at every brush change.

**CARBON BRUSHES**  
 The brushes and commutator in your tool have been engineered for many hours of dependable service. To maintain peak efficiency of the motor, we recommend every two to six months the brushes be examined. Only genuine Bosch replacement brushes specially designed for your tool should be used.

**BEARINGS**  
 After about 300-400 hours of operation, or at every second brush change, the bearings

should be replaced at Bosch Factory Service Center or Authorized Bosch Service Station. Bearings which become noisy (due to heavy load or very abrasive material cutting) should be replaced at once to avoid overheating or motor failure.

**Cleaning**  
**⚠ WARNING** To avoid accidents always disconnect the tool from the power supply before cleaning or performing any maintenance. The tool may be cleaned most effectively with compressed dry air. **Always wear safety goggles when cleaning tools with compressed air.**

Ventilation openings and switch levers must be kept clean and free of foreign matter. Do not attempt to clean by inserting pointed objects through openings.

**⚠ CAUTION** Certain cleaning agents and solvents damage plastic parts. Some of these are: gasoline, carbon tetrachloride, chlorinated cleaning solvents, ammonia and household detergents that contain ammonia.

## Accessories

**⚠ WARNING** If an extension cord is necessary, a cord with adequate size conductors that is capable of carrying the current necessary for your tool must be used. This will prevent excessive voltage drop, loss of power or overheating. Grounded tools must use 3-wire extension cords that have 3-prong plugs and receptacles.

**NOTE:** The smaller the gauge number, the heavier the cord.

**RECOMMENDED SIZES OF EXTENSION CORDS  
 120 VOLT ALTERNATING CURRENT TOOLS**

Tool's Ampere Rating	Cord Size in A.W.G.				Wire Sizes in mm <sup>2</sup>			
	Cord Length in Feet				Cord Length in Meters			
	25	50	100	150	15	30	60	120
3-6	18	16	16	14	0.75	0.75	1.5	2.5
6-8	18	16	14	12	0.75	1.0	2.5	4.0
8-10	18	16	14	12	0.75	1.0	2.5	4.0
10-12	16	16	14	12	1.0	2.5	4.0	—
12-16	14	12	—	—	—	—	—	—

- \* Punch 2 608 639 013
- \* 3- position die 2 608 639 904
- \*\* Swivel die 2 608 639 901
- \*\* Carrying case

- (\* = standard equipment)
- (\*\* = optional accessories)

## Règles de Sécurité Générales

### **▲ AVERTISSEMENT**

**Vous devez lire et comprendre toutes les instructions.** Le non-respect, même partiel, des instructions ci-après entraîne un risque de choc électrique, d'incendie et/ou de blessures graves.

### CONSERVEZ CES INSTRUCTIONS


#### Aire de travail

Veillez à ce que l'aire de travail soit propre et bien éclairée. Le désordre et le manque de lumière favorisent les accidents.

**N'utilisez pas d'outils électriques dans une atmosphère explosive, par exemple en présence de liquides, de gaz ou de poussières inflammables.** Les outils électriques créent des étincelles qui pourraient enflammer les poussières ou les vapeurs.

**Tenez à distance les curieux, les enfants et les visiteurs pendant que vous travaillez avec un outil électrique.** Ils pourraient vous distraire et vous faire faire une fausse manoeuvre.

#### Sécurité électrique

Les outils à double isolation sont équipés d'une fiche polarisée (une des lames est plus large que l'autre), qui ne peut se brancher que d'une seule façon dans une prise polarisée. Si la fiche n'entre pas parfaitement dans la prise, inversez sa position ; si elle n'entre toujours pas bien, demandez à un électricien qualifié d'installer une prise de courant polarisée. **Ne modifiez pas la fiche de l'outil.** La double isolation  élimine le besoin d'un cordon d'alimentation à trois fils avec mise à la terre ainsi que d'une prise de courant mise à la terre. *Avant de brancher l'outil, assurez-vous que la tension de la prise correspond, à celle indiquée sur la plaque signalétique. N'utilisez pas d'outils prévus pour courant alternatif seulement avec une source de courant continu.*

**Évitez tout contact corporel avec des surfaces mises à la terre (tuyauterie, radiateurs, cuisinières, réfrigérateurs, etc.).** Le risque de choc électrique est plus grand si votre corps est en contact avec la terre. Si l'utilisation de l'outil électrique dans un endroit humide est inévitable, un disjoncteur de fuite à la terre doit être utilisé pour alimenter votre outil. Des chaussures et des gants en caoutchouc d'électricien contribueront à accroître davantage votre sécurité personnelle.

**N'exposez pas les outils électriques à la pluie ou à l'eau.** La présence d'eau dans un outil électrique augmente le risque de choc électrique.

**Ne maltraitez pas le cordon. Ne transportez pas l'outil par son cordon et ne débranchez pas la fiche en tirant sur le cordon. N'exposez pas le cordon à la chaleur, à des huiles, à des arêtes vives ou à des pièces en mouvement. Remplacez immédiatement un cordon endommagé.** Un cordon endommagé augmente le risque de choc électrique.

**Lorsque vous utilisez un outil électrique à l'extérieur, employez un prolongateur pour l'extérieur marqué « W-A » ou « W ».** Ces cordons sont faits pour être utilisés à l'extérieur et réduisent le risque de choc électrique. Reportez-vous aux « Dimensions recommandées des cordons de rallonge » dans la section Accessoires de ce manuel.

#### Sécurité des personnes

**Restez alerte, concentrez-vous sur votre travail et faites preuve de jugement. N'utilisez pas un outil électrique si vous êtes fatigué ou sous l'influence de drogues, d'alcool ou de médicaments.** Un instant d'inattention suffit pour entraîner des blessures graves.

**Habillez-vous convenablement. Ne portez ni vêtements flottants ni bijoux. Confiner les cheveux longs. N'approchez jamais les cheveux, les vêtements ou les gants des pièces en mouvement.** Des vêtements flottants, des bijoux ou des cheveux longs risquent d'être happés par des pièces en mouvement. Gardez les poignées sèches, propres et exemptes d'huile et de graisse.

**Méfiez-vous d'un démarrage accidentel. Avant de brancher l'outil, assurez-vous que son interrupteur est sur ARRÊT.** Le fait de transporter un outil avec le doigt sur la détente ou de brancher un outil dont l'interrupteur est en position MARCHE peut mener tout droit à un accident.

**Enlevez les clés de réglage ou de serrage avant de démarrer l'outil.** Une clé laissée dans une pièce tournante de l'outil peut provoquer des blessures.

**Ne vous penchez pas trop en avant. Maintenez un bon appui et restez en équilibre en tout temps.** Une bonne stabilité vous permet de mieux réagir à une situation inattendue.

**Utilisez des accessoires de sécurité. Portez toujours des lunettes ou une visière.** Selon les conditions, portez aussi un masque antipoussière, des bottes de sécurité antidérapantes, un casque protecteur et/ou un appareil antibruit.

#### Utilisation et entretien des outils

**Immobilisez le matériau sur une surface stable au moyen de brides ou de toute autre façon adéquate.** Le fait de tenir la pièce avec la main ou contre votre corps offre une stabilité insuffisante et peut amener un dérapage de l'outil.

**Ne forcez pas l'outil. Utilisez l'outil approprié à la tâche.** L'outil correct fonctionne mieux et de façon plus sécuritaire. Respectez aussi la vitesse de travail qui lui est propre.

**N'utilisez pas un outil si son interrupteur est bloqué.** Un outil que vous ne pouvez pas commander par son interrupteur est dangereux et doit être réparé.

**Débranchez la fiche de l'outil avant d'effectuer un réglage, de changer d'accessoire ou de ranger l'outil.** De telles mesures préventives de sécurité réduisent le risque de démarrage accidentel de l'outil.

**Rangez les outils hors de la portée des enfants et d'autres personnes inexpérimentées.** Les outils sont dangereux dans les mains d'utilisateurs novices.

**Prenez soin de bien entretenir les outils. Les outils de coupe doivent être toujours bien affûtés et propres.** Des outils bien entretenus, dont les arêtes sont bien tranchantes, sont moins susceptibles de coincer et plus faciles à diriger. Toute altération ou modification constitue un usage erroné et peut causer un danger.

**Soyez attentif à tout désalignement ou coincement des pièces en mouvement, à tout bris ou à toute autre condition préjudiciable au bon fonctionnement de l'outil. Si vous constatez qu'un outil est endommagé,**

**faites-le réparer avant de vous en servir.** De nombreux accidents sont causés par des outils en mauvais état. Élaborez un calendrier d'entretien périodique de votre outil.

**N'utilisez que des accessoires que le fabricant recommande pour votre modèle d'outil.** Certains accessoires peuvent convenir à un outil, mais être dangereux avec un autre.

## Réparation

**La réparation des outils électriques doit être confiée à un réparateur qualifié.** L'entretien ou la réparation d'un outil électrique par un amateur peut avoir des conséquences graves. Ainsi, des fils internes peuvent être mal placés ou pincés, des ressorts de rappel de protecteur peuvent être montés erronément.

**Pour la réparation d'un outil, n'employez que des pièces de rechange d'origine. Suivez les directives données à la section « Réparation » de ce manuel.** L'emploi de pièces non autorisées ou le non-respect des instructions d'entretien peut créer un risque de choc électrique ou de blessures. Certains agents nettoyants tels qu'essence, tétrachlorure de carbone, ammoniac, etc., peuvent abîmer les pièces en plastique.

## Consignes de sécurité pour grignoteuses

**Débranchez toujours l'outil avant de changer d'accessoire ou d'effectuer des réglages.** Tout démarrage intempestif risque de causer des blessures corporelles graves.

**Portez toujours des lunettes de sécurité ou une protection oculaire quand vous utilisez cet outil. Portez des gants de cuir et des chaussures de sécurité.** Les gants de cuir protègent les mains des arêtes de métal tranchantes, les chaussures de sécurité protègent les pieds des morceaux de métal pointus.

**Fixez la pièce à couper. Ne tenez jamais les petites pièces à la main ou sur vos genoux. Ne touchez ni la matrice ni le poinçon quand la grignoteuse est en marche.** En cas de contact avec le poinçon ou la matrice vous risquez d'avoir les doigts lacérés ou écrasés.

**Contrôlez périodiquement les éléments de fixation de l'outil et resserrez-les s'ils sont desserrés.** Les vibrations de l'outil peuvent à l'occasion causer le desserrage des éléments de fixation.

**Ne coupez pas de matériau plus épais que la capacité nominale de la grignoteuse** car cela endommagerait l'ensemble de poinçon et matrice.

**N'utilisez pas de poinçon émoussé ou abîmé ou de matrice ou accessoires non conçus pour une grignoteuse. Remplacez les poinçons et matrices usées.** Les embouts émoussés ou abîmés ont une plus grande tendance à coincer dans la pièce.

**Quand vous enlevez l'ensemble de poinçon et matrice de l'outil, évitez tout contact avec la peau et utilisez des gants de protection appropriés pour saisir l'embout ou un accessoire.** Les accessoires sont susceptibles d'être chauds après un usage prolongé.

**⚠ AVERTISSEMENT** Les travaux à la machine tel que ponçage, sciage, meulage, perçage et autres travaux du bâtiment peuvent créer des poussières contenant des produits chimiques qui sont des causes reconnues de cancer, de malformation congénitale ou d'autres problèmes reproductifs. Ces produits chimiques sont, par exemple :

- Le plomb provenant des peintures à base de plomb,
- Les cristaux de silices provenant des briques et du ciment et d'autres produits de maçonnerie, et

- L'arsenic et le chrome provenant des bois traités chimiquement.

Le niveau de risque dû à cette exposition varie avec la fréquence de ces types de travaux. Pour réduire l'exposition à ces produits chimiques, il faut travailler dans un lieu bien ventilé et porter un équipement de sécurité approprié tel que certains masques à poussière conçus spécialement pour filtrer les particules microscopiques.

## Symboles

**IMPORTANT** : Certains des symboles suivants peuvent être utilisés sur votre outil. Veuillez les étudier et apprendre leur signification. Une interprétation appropriée de ces symboles vous permettra d'utiliser l'outil de façon plus efficace et plus sûre.

Symbole	Nom	Désignation/Explication
V	Volts	Tension (potentielle)
A	Ampères	Courant
Hz	Hertz	Fréquence (cycles par seconde)
W	Watt	Puissance
kg	Kilogrammes	Poids
min	Minutes	Temps
s	Secondes	Temps
∅	Diamètre	Taille des mèches de perceuse, meules, etc.
$n_0$	Vitesse à vide	Vitesse de rotation, à vide
.../min	Tours ou mouvement alternatif par minute	Tours, coups, vitesse en surface, orbites, etc., par minute
0	Position d'arrêt	Vitesse zéro, couple zéro ...
1, 2, 3, ... I, II, III, ...	Réglages du sélecteur	Réglages de vitesse, de couple ou de position. Un nombre plus élevé signifie une vitesse plus grande.
	Sélecteur variable à l'infini avec arrêt	La vitesse augmente depuis le réglage 0
	Flèche	Action dans la direction de la flèche
	Courant alternatif	Type ou caractéristique du courant
	Courant continu	Type ou caractéristique du courant
	Courant alternatif ou continu	Type ou caractéristique du courant
	Construction classe II	Désigne des outils construits avec double isolation
	Borne de terre	Borne de mise à la terre
	Symbole d'avertissement	Alerte l'utilisateur aux messages d'avertissement.
	Sceau Ni-Cad RBRC	Désigne le programme de recyclage des piles Ni-Cad.



Ce symbole signifie que cet outil est approuvé par Underwriters Laboratories.



Ce symbole signifie que cet outil est approuvé conformément aux normes canadiennes par Underwriters Laboratories.



Ce symbole signifie que cet outil se conforme aux normes mexicaines NOM.



Ce symbole signifie que cet outil est approuvé par l'Association canadienne de normalisation.

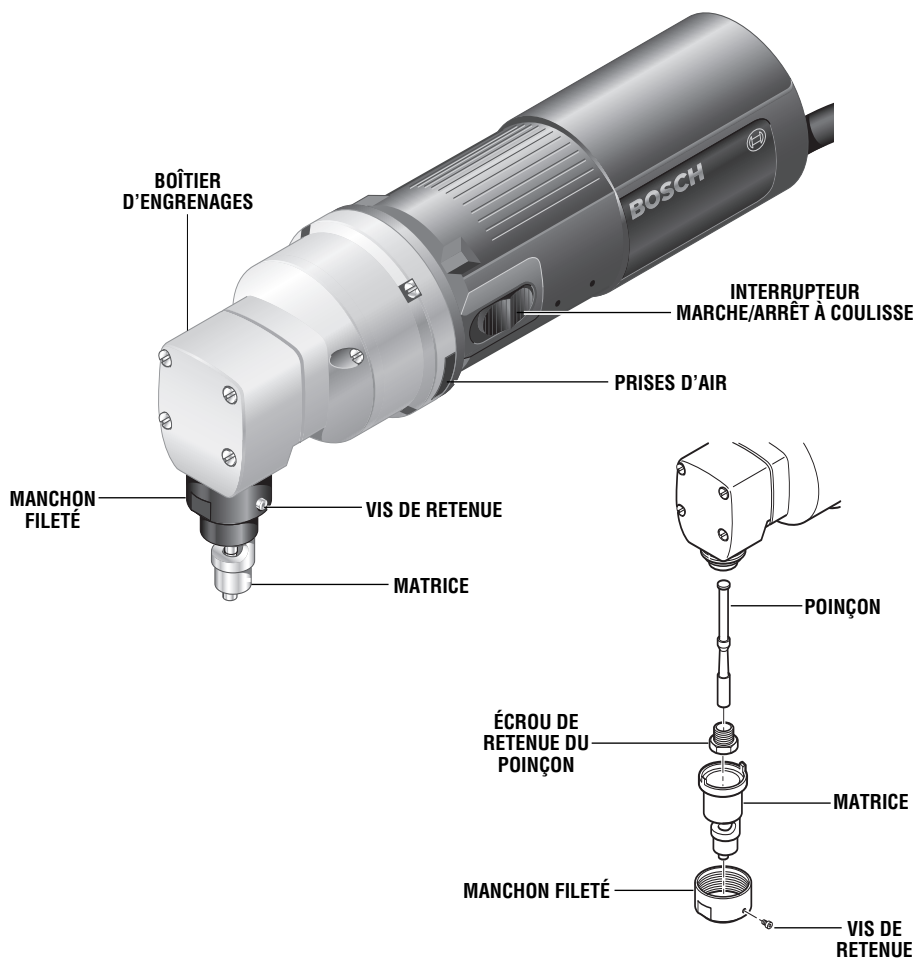


Ce symbole signifie que cet outil est approuvé par Underwriters Laboratories et qu'il a été homologué selon les normes canadiennes par Underwriters Laboratories.

## Description fonctionnelle et spécifications

**AVERTISSEMENT** Débranchez la fiche de la prise de courant avant d'effectuer quelque assemblage ou réglage que ce soit ou de changer les accessoires. Ces mesures de sécurité préventive réduisent le risque d'une mise en marche accidentelle de l'outil.

### Grignoteuse



#### Capacités de la grignoteuse :

Matériau	Intermittent	Continu
Acier doux	Calibre 14 (.075 po)	Calibre 16 (.060 po)
La plupart des alum.	(0.100 po)	Calibre 18 (.048 po)
La plupart des acier inox	Calibre 16 (.060 po)	

## Assemblage

### CHANGEMENT DES POINÇONS ET MATRICES

#### Changement de matrice

1. Desserrez la vis de retenue qui bloque la matrice en place.
2. Après avoir desserré la vis de retenue, dévissez le manchon fileté à l'aide d'une clé à ergots de 1-1/4 po (32 mm).
3. Enlevez le manchon fileté ainsi que la matrice.
4. Lubrifiez le manchon fileté et la matrice avec de l'huile légère et ré-assemblez en ordre inverse.

#### Changement de poinçon

1. Desserrez la vis de retenue et dévissez le manchon fileté à l'aide d'une clé à ergots de 1-1/4 po (32 mm).

2. Enlevez le manchon fileté ainsi que la matrice.
3. Dévissez l'écrou de retenue du poinçon et faites glisser le poinçon pour le sortir du boîtier.
4. Insérez un poinçon neuf bien huilé et ré-assemblez en ordre inverse.

### CHANGEMENT DE LA POSITION DE LA MATRICE MATRICE À 3 POSITIONS

1. Desserrez la vis de retenue et enlevez le manchon fileté ainsi que la matrice.
2. Faites tourner la matrice pour la mettre sur une des positions fixes dans le boîtier d'engrenages.
3. Remontez le manchon fileté et serrez la vis de retenue.

## Consignes de fonctionnement

### INFORMATIONS GÉNÉRALES

L'observance de quelques conseils simples réduira l'usure sur l'outil et les possibilités de blessures pour l'utilisateur.

L'outil étant débranché de la source de courant et l'interrupteur marche/arrêt étant à la position d'arrêt, familiarisez-vous avec le maniement de la grignoteuse et apprenez l'emplacement de ses pièces.

Avant de mettre la grignoteuse en marche, inspectez le poinçon et la matrice pour y relever une usure excessive et remplacez au besoin.

Ne dépassez pas les capacités recommandées pour cette grignoteuse. L'utilisation de la grignoteuse en dehors de sa plage de fonctionnement provoquera une défaillance prématurée du poinçon et de la matrice.

Ne mettez jamais la grignoteuse en marche avec le poinçon et la matrice en contact avec le matériau à couper.

Pour des coupes nettes et rapides, tenez la grignoteuse de manière à ce que la tête de coupe soit à angle droit par rapport à la trajectoire de coupe, le corps de l'outil étant parallèle aux ondulations. Déplacez la tête de coupe dans et hors des ondulations, en gardant constamment la tête à angle droit par rapport au matériau à couper.

Avancez la grignoteuse dans l'ouvrage en exerçant une pression minimale. Laissez la grignoteuse faire le travail. Si la grignoteuse ne coupe pas correctement, vérifiez si

le poinçon ou la matrice sont émoussés. L'émoussement sera évident à mesure qu'une pression plus grande sera requise pour faire avancer la grignoteuse dans le matériau. Des bavures apparaîtront également le long du bord decoupe. Un matériau plus dur émoussera le poinçon et la matrice plus rapidement qu'un matériau doux.

Dirigez toujours le cordon vers l'arrière et à l'écart de la grignoteuse. Tenez-le à l'écart des arêtes vives.

Fixez ou serrez les petits ouvrages à couper pour les empêcher de glisser.

Utilisez toujours le lubrifiant recommandé pour le matériau à couper. L'absence de lubrifiant réduira la durée du poinçon et de la matrice.

### INTERRUPTEUR MARCHÉ/ARRÊT À COULISSE

On met l'outil en marche à l'aide de l'interrupteur à coulisse situé sur le côté du logement du moteur.

**POUR METTRE L'OUTIL EN MARCHÉ :** faites glisser l'interrupteur vers l'avant.

**POUR ARRÊTER L'OUTIL :** faites glisser l'interrupteur vers l'arrière.

Mettez l'outil en marche avant de le poser sur la pièce. De même, soulevez-le avant d'en relâcher l'interrupteur. Pour prolonger la durée de l'interrupteur, évitez de le mettre sous tension et hors tension pendant que l'outil est à l'oeuvre.

## LUBRIFICATION DU POINÇON ET DE LA MATRICE

Une lubrification appropriée est essentielle pour prolonger la durée du poinçon et de la matrice, et cette lubrification se fait en immergeant complètement à l'occasion le poinçon et la matrice dans un petit récipient contenant le lubrifiant approprié.

Pour mieux assurer une coupe régulière et prolonger la durée du poinçon, lubrifiez toujours la trajectoire de coupe à l'aide d'huile de coupe. Pour couper l'acier ou l'acier inoxydable, lubrifiez la trajectoire de coupe avant de commencer le travail. Pour couper l'aluminium,

lubrifiez la trajectoire de coupe tout en pratiquant la coupe. Étant donné que le poinçon coupe sur la course descendante, le côté supérieur de la coupe doit être lubrifié.

Pour couper l'acier, utilisez une huile de coupe ou une huile SAE 30.

Pour couper l'aluminium, un mélange de 7 parties de kérosène et de 3 parties de térébenthine doit être utilisé.

Au cas où le poinçon se gripperait, mettez immédiatement la grignoteuse à l'arrêt, relubrifiez le poinçon et la matrice, et délestez la tension de la tôle.

## Conseils pratiques

La grignoteuse de tôles ondulées est conçue spécialement pour le travail des tôles ondulées de profil trapézoïdal et rectangulaire.

Servez-vous toujours de vos deux mains pour guider la grignoteuse.

Ne forcez pas, ce qui provoquerait une usure prématurée de la matrice et du poinçon.

Avant de mettre la grignoteuse en marche, assurez-vous que le poinçon et la matrice sont bien lubrifiés. Reportez-vous à la section

Ne mettez jamais la grignoteuse en marche alors que le poinçon et la matrice sont en contact avec le matériau à couper.

Assurez-vous toujours que le matériau repose sur la matrice inférieure durant le fonctionnement.

**Grignotage le long d'un trait** – Pour grignoter en ligne droite, fixez la matrice pour l'empêcher de tourner en serrant la vis de retenue. Il est facile d'obtenir une coupe droite, il suffit de suivre le chant d'une règle.

**Découpage de courbes** – Pour découper des courbes, desserrez la vis de retenue, ce qui permet à la matrice de tourner librement et de se positionner dans la direction de la coupe.

**Coupes intérieures** – Pour faire des coupes intérieures, il faut pratiquer un trou de départ de 9/16 po (16 mm) afin de pouvoir y enfiler la matrice.

**Grignotage suivant gabarit** – La partie inférieure de la matrice suit le gabarit. Remarquez qu'à cause d'une distance de 3/16 po (4,5 mm) entre le gabarit et l'arête tranchante de la matrice de chaque côté, la découpe et le gabarit ne sont pas exactement identiques. Il faut desserrer la vis de retenue.

**Grignotage à main levée** – Pour faciliter le mouvement de la matrice autour du poinçon, des accessoires supplémentaires sont nécessaires. Un porte-matrice et des matrices pour tôles plates et ondulées sont disponibles en accessoire auprès de votre distributeur Bosch. Les numéros de pièces des accessoires se trouvent au catalogue Bosch.



## Entretien

### Service

**⚠ AVERTISSEMENT** Tout entretien préventif effectué par des personnels non autorisés peut résulter en mauvais placement de fils internes ou de pièces, ce qui peut présenter un danger grave. Nous vous conseillons de faire faire tout l'entretien par un centre de service d'usine Bosch ou une station service agréée Bosch.

#### LUBRIFICATION DE L'OUTIL

Votre outil Bosch a été lubrifié correctement en usine et il est prêt à l'utilisation. Nous vous conseillons de re-graisser les outils qui comportent des engrenages avec un lubrifiant à engrenages spécial à chaque fois que vous changez les balais.

#### BALAIS OU CHARBONS

Les balais (ou charbons) et le collecteur de votre outil ont été conçus pour apporter de nombreuses heures de fonctionnement fiable. Pour maintenir le rendement du moteur à son maximum, nous vous conseillons de contrôler les balais tous les deux à six mois. Il ne faut utiliser que des balais de rechange Bosch d'origine et conçus pour votre outil.

#### PALIER

Après environ 300 à 400 heures de fonctionnement ou tous les deux changements de balais, il est conseillé

de faire remplacer les paliers par un centre de service d'usine Bosch ou une station service agréée Bosch. Si les paliers commencent à faire du bruit (à cause de surcharges importantes ou du touillage de matériaux très abrasifs) il faut les faire remplacer immédiatement pour éviter la surchauffe ou une panne de moteur.

### Nettoyage

**⚠ AVERTISSEMENT** Pour éviter les accidents, il faut toujours débrancher l'outil avant de le nettoyer ou de l'entretenir. Le meilleur moyen de nettoyer l'outil est d'utiliser de l'air comprimé sec. Il faut toujours porter des lunettes de protection quand on utilise de l'air comprimé.

Les ouïes de ventilation et les leviers de l'interrupteur doivent rester propres et exempts de corps étrangers. Ne tentez pas de les nettoyer en enfonçant des objets pointus dans les orifices.

**⚠ AVERTISSEMENT** Certains agents de nettoyage et certains dissolvants abîment les pièces en plastique. Parmi ceux-ci se trouvent: l'essence, le tétrachlorure de carbone, les dissolvants de nettoyage chlorés, l'ammoniaque ainsi que les détergents domestiques qui en contiennent.

## Accessoires

**⚠ AVERTISSEMENT** Si un cordon de rallonge s'avère nécessaire, vous devez utiliser un cordon avec conducteurs de dimension adéquate pouvant porter le courant nécessaire à votre outil. Ceci préviendra une chute excessive de tension, une perte de courant ou une surchauffe. Les outils mis à la terre doivent utiliser des cordons de rallonge trifilaires pourvus de fiches à trois broches ainsi que des prises à trois broches.

**REMARQUE :** Plus le calibre est petit, plus le fil est gros.

#### DIMENSIONS DE RALLONGES RECOMMANDÉES OUTILS 120 VOLTS COURANT ALTERNATIF

Intensité nominale de l'outil	Calibre A.W.G.				Calibre en mm <sup>2</sup>			
	Longueur en pieds				Longueur en mètres			
	25	50	100	150	15	30	60	120
3-6	18	16	16	14	0,75	0,75	1,5	2,5
6-8	18	16	14	12	0,75	1,0	2,5	4,0
8-10	18	16	14	12	0,75	1,0	2,5	4,0
10-12	16	16	14	12	1,0	2,5	4,0	—
12-16	14	12	—	—	—	—	—	—

\* Poinçon 2 608 639 013

\* Matrice à 3 positions 2 608 639 904

\*\* Matrice pivotante 2 608 639 901

\*\* Étui

(\* = équipement de série)

(\*\* = accessoires optionnels)

## Normas de seguridad para herramientas mecánicas



### ADVERTENCIA

Lea y entienda todas las instrucciones. El incumplimiento de todas las instrucciones indicadas a continuación puede dar lugar a sacudidas eléctricas, incendios y/o lesiones personales graves.

### CONSERVE ESTAS INSTRUCCIONES

#### Area de trabajo

**Mantenga el área de trabajo limpia y bien iluminada.** Las mesas desordenadas y las áreas oscuras invitan a que se produzcan accidentes.

**No utilice herramientas mecánicas en atmósferas explosivas, tales como las existentes en presencia de líquidos, gases o polvos inflamables.** Las herramientas mecánicas generan chispas y éstas pueden dar lugar a la ignición del polvo o los vapores.

**Mantenga a las personas que se encuentren presentes, a los niños y a los visitantes alejados al utilizar una herramienta mecánica.** Las distracciones pueden hacer que usted pierda el control.

#### Seguridad eléctrica

Las herramientas con aislamiento doble están equipadas con un enchufe polarizado (un terminal es más ancho que el otro). Este enchufe entrará en un tomacorriente polarizado solamente de una manera. Si el enchufe no entra por completo en el tomacorriente, déle la vuelta. Si sigue sin entrar, póngase en contacto con un electricista competente para instalar un tomacorriente polarizado. No haga ningún tipo de cambio en el enchufe. El aislamiento doble  elimina la necesidad del sistema de cordón de energía de tres hilos conectado a tierra y la fuente de energía conectada a tierra. *Antes de enchufar la herramienta, asegúrese de que la tensión del tomacorriente suministrada se encuentre dentro del margen de la tensión especificada en la placa del fabricante. No utilice herramientas con capacidad nominal "AC solamente" ("AC only") con una fuente de energía DC.*

**Evite el contacto del cuerpo con las superficies conectadas a tierra tales como tuberías, radiadores, estufas de cocina y refrigeradores.** Hay mayor riesgo de que se produzcan sacudidas eléctricas si su cuerpo está conectado a tierra. Si la utilización de la herramienta mecánica en lugares húmedos es inevitable, se debe usar un interruptor de circuito para fallos a tierra para suministrar la energía a la herramienta. Los guantes de goma para electricista y el calzado antideslizante aumentarán más la seguridad personal.

**No exponga las herramientas mecánicas a la lluvia ni a situaciones húmedas.** La entrada de agua en una herramienta mecánica aumentará el riesgo de que se produzcan sacudidas eléctricas.

**No abuse del cordón. Nunca use el cordón para llevar las herramientas ni para sacar el enchufe de un tomacorriente. Mantenga el cordón alejado del calor, el aceite, los bordes afilados o las piezas móviles. Cambie los cordones dañados inmediatamente.** Los cordones dañados aumentan el riesgo de que se produzcan sacudidas eléctricas.

**Al utilizar una herramienta mecánica a la intemperie, utilice un cordón de extensión para intemperie marcado "W-A" o "W".** Estos cordones tienen capacidad nominal para uso a la intemperie y reducen el riesgo de que se produzcan sacudidas eléctricas. Consulte "Tamaños recomendados de los cordones de extensión" en la sección Accesorios de este manual.

#### Seguridad personal

**Manténgase alerta, fíjese en lo que está haciendo y use el sentido común cuando utilice una herramienta mecánica. No use la herramienta cuando está cansado o se encuentre bajo la influencia de drogas, alcohol o medicamentos.** Un momento de distracción al utilizar herramientas mecánicas puede dar lugar a lesiones personales graves.

**Vístase adecuadamente. No se ponga ropa holgada ni joyas. Sujétese el pelo. Mantenga el pelo, la ropa y los guantes alejados de las piezas móviles.** La ropa holgada, las joyas o el pelo largo pueden quedar atrapados en las piezas móviles. Mantenga los mangos secos, limpios y libres de aceite y grasa.

**Evite el arranque accidental. Asegúrese de que el interruptor esté en la posición "OFF" (apagado) antes de enchufar la herramienta.** El llevar las herramientas con el dedo en el interruptor o el enchufar herramientas que tengan el interruptor en la posición "ON" (encendido) invita a que se produzcan accidentes.

**Quite las llaves de ajuste o de tuerca antes de encender la herramienta.** Una llave de ajuste o de tuerca que se deje puesta en una pieza giratoria de la herramienta puede ocasionar lesiones personales.

**No intente alcanzar demasiado lejos. Mantenga un apoyo de los pies y un equilibrio adecuados en todo momento.** El apoyo de los pies y el equilibrio adecuados permiten un mejor control de la herramienta en situaciones inesperadas.

**Utilice equipo de seguridad. Use siempre protección de los ojos.** Se debe utilizar una máscara antipolvo, zapatos de seguridad antideslizantes, casco o protección de los oídos según lo requieran las condiciones.

### Utilización y cuidado de las herramientas

**Utilice abrazaderas u otro modo práctico de fijar y soportar la pieza de trabajo a una plataforma estable.**

La sujeción de la pieza de trabajo con la mano o contra el cuerpo resulta inestable y puede ocasionar pérdida de control.

**No fuerce la herramienta. Use la herramienta correcta para la aplicación que desea.** La herramienta correcta hará el trabajo mejor y con más seguridad a la capacidad nominal para la que está diseñada.

**No utilice la herramienta si el interruptor no la enciende o apaga.** Toda herramienta que no se pueda controlar con el interruptor es peligrosa y debe ser reparada.

**Desconecte el enchufe de la fuente de energía antes de hacer cualquier ajuste, cambiar accesorios o guardar la herramienta.** Estas medidas de seguridad preventivas reducen el riesgo de arrancar la herramienta accidentalmente.

**Guarde las herramientas que no esté usando fuera del alcance de los niños y otras personas no capacitadas.** Las herramientas son peligrosas en las manos de los usuarios no capacitados.

**Mantenga las herramientas con cuidado. Conserve las herramientas de corte afiladas y limpias.** Las herramientas mantenidas adecuadamente, con bordes de corte afilados, tienen menos probabilidades de atascarse y son más fáciles de controlar. Toda alteración o modificación constituye un uso incorrecto y puede tener como resultado una situación peligrosa.

**Compruebe la desalineación o el atasco de las piezas móviles, la ruptura de piezas y cualquier otra**

**situación que pueda afectar el funcionamiento de las herramientas. Si la herramienta está dañada, haga que realicen un servicio de ajustes y reparaciones a la herramienta antes de usarla.** Muchos accidentes son causados por herramientas mantenidas deficientemente. Establezca un programa de mantenimiento periódico para la herramienta.

**Utilice únicamente accesorios que estén recomendados por el fabricante de su modelo.** Los accesorios que pueden ser adecuados para una herramienta pueden volverse peligrosos cuando se utilizan en otra herramienta.

### Servicio

**El servicio de ajustes y reparaciones de una herramienta debe ser realizado únicamente por personal de reparaciones competente.** El servicio o mantenimiento realizado por personal no competente podría ocasionar un peligro de que se produzcan lesiones. Por ejemplo: Los cables internos pueden colocarse mal o pellizcarse, los resortes de retorno de los protectores de seguridad pueden montarse inadecuadamente.

**Al realizar servicio de ajustes y reparaciones de una herramienta, utilice únicamente piezas de repuesto idénticas. Siga las instrucciones que aparecen en la sección Mantenimiento de este manual.** El uso de piezas no autorizadas o el incumplimiento de las instrucciones de Mantenimiento puede ocasionar un peligro de que se produzcan sacudidas eléctricas o lesiones. Ciertos agentes de limpieza, tales como gasolina, tetracloruro de carbono, amoníaco, etc., pueden dañar las piezas de plástico.

## Normas de seguridad para recortadoras de chapa

**Desenchufe siempre la herramienta de la fuente de energía antes de cambiar accesorios o de hacer ajustes.** Podría producirse un arranque accidental que podría causar lesiones personales graves.

**Use siempre gafas de seguridad o protección de los ojos cuando utilice esta herramienta. Use guantes de cuero y zapatos de seguridad.** Los guantes de cuero y los zapatos de seguridad protegerán las manos contra los bordes metálicos afilados y los pies contra los pedazos de metal afilados.

**Sujete firmemente el material que se esté cortando. Nunca sostenga piezas pequeñas en la mano ni sobre las piernas. No toque el punzón ni el troquel durante el uso de la recortadora de chapa.** El contacto con el punzón y el troquel puede causar una laceración o una lesión por aplastamiento.

**Compruebe periódicamente las piezas de fijación de la herramienta para ver si están flojas y**

**apriételas según sea necesario.** La vibración de la recortadora de chapa puede hacer que las piezas de fijación se aflojen ocasionalmente.

**No corte material más grande que la capacidad nominal de la recortadora de chapa.** El corte de material más grueso que la capacidad causará daños al conjunto de punzón y troquel.

**No utilice un punzón ni troqueles desafilados o dañados, ni accesorios que no estén diseñados para una recortadora de chapa. Reemplace los punzones y los troqueles desgastados.** Las brocas desafiladas o dañadas tienen una mayor tendencia a atascarse en la pieza de trabajo.

**Cuando quite el conjunto de punzón y troquel de la herramienta, evite el contacto con la piel y utilice guantes de protección adecuados cuando agarre la broca o el accesorio.** Es posible que los accesorios estén calientes después del uso prolongado.

**▲ ADVERTENCIA** Cierta polvo generado por el lijado, aserrado, amolado y taladrado mecánicos, y por otras actividades de construcción, contiene agentes químicos que se sabe que causan cáncer, defectos de nacimiento u otros daños sobre la reproducción. Algunos ejemplos de estos agentes químicos son:

- Plomo de pinturas a base de plomo,
- Sílice cristalina de ladrillos y cemento y otros productos de mampostería, y

- Arsénico y cromo de madera tratada químicamente.

Su riesgo por causa de estas exposiciones varía, dependiendo de con cuánta frecuencia realice este tipo de trabajo. Para reducir su exposición a estos agentes químicos: trabaje en un área bien ventilada y trabaje con equipo de seguridad aprobado, como por ejemplo máscaras antipolvo que estén diseñadas especialmente para impedir mediante filtración el paso de partículas microscópicas.

## Símbolos

**IMPORTANTE:** Es posible que algunos de los símbolos siguientes se usen en su herramienta. Por favor, estúdielos y aprenda su significado. La interpretación adecuada de estos símbolos le permitirá utilizar la herramienta mejor y con más seguridad.

Símbolo	Nombre	Designación/explicación
V	Volt	Tensión (potencial)
A	Ampere	Corriente
Hz	Hertz	Frecuencia (ciclos por segundo)
W	Watt	Potencia
kg	Kilogramo	Peso
min	Minuto	Tiempo
s	Segundo	Tiempo
∅	Diámetro	Tamaño de las brocas taladradoras, muelas, etc.,
$n_0$	Velocidad sin carga	Velocidad rotacional sin carga
.../min	Revoluciones o alternación por minuto	Revoluciones, golpes, velocidad de superficie, órbitas, etc., por minuto
0	Posición "off" (apagado)	Velocidad cero, par motor cero...
1, 2, 3, ... I, II, III,	Graduaciones del selector	Graduaciones de velocidad, par motor o posición. Un número más alto significa mayor velocidad
	Selector infinitamente variable con apagado	La velocidad aumenta desde la graduación de 0
	Flecha	Acción en la dirección de la flecha
	Corriente alterna	Tipo o una característica de corriente
	Corriente continua	Tipo o una característica de corriente
	Corriente alterna o continua	Tipo o una característica de corriente
	Construcción de clase II	Designa las herramientas de construcción con aislamiento doble.
	Terminal de toma de tierra	Terminal de conexión a tierra
	Símbolo de advertencia	Alerta al usuario sobre mensajes de advertencia
	Sello RBRC de Ni-Cd	Designa el programa de reciclaje de baterías de Ni-Cd



Este símbolo indica que esta herramienta está catalogada por Underwriters Laboratories.



Este símbolo indica que Underwriters Laboratories ha catalogado esta herramienta indicando que cumple las normas canadienses.



Este símbolo indica que esta herramienta cumple con la norma mexicana oficial (NOM).



Este símbolo indica que esta herramienta está catalogada por la Canadian Standards Association.

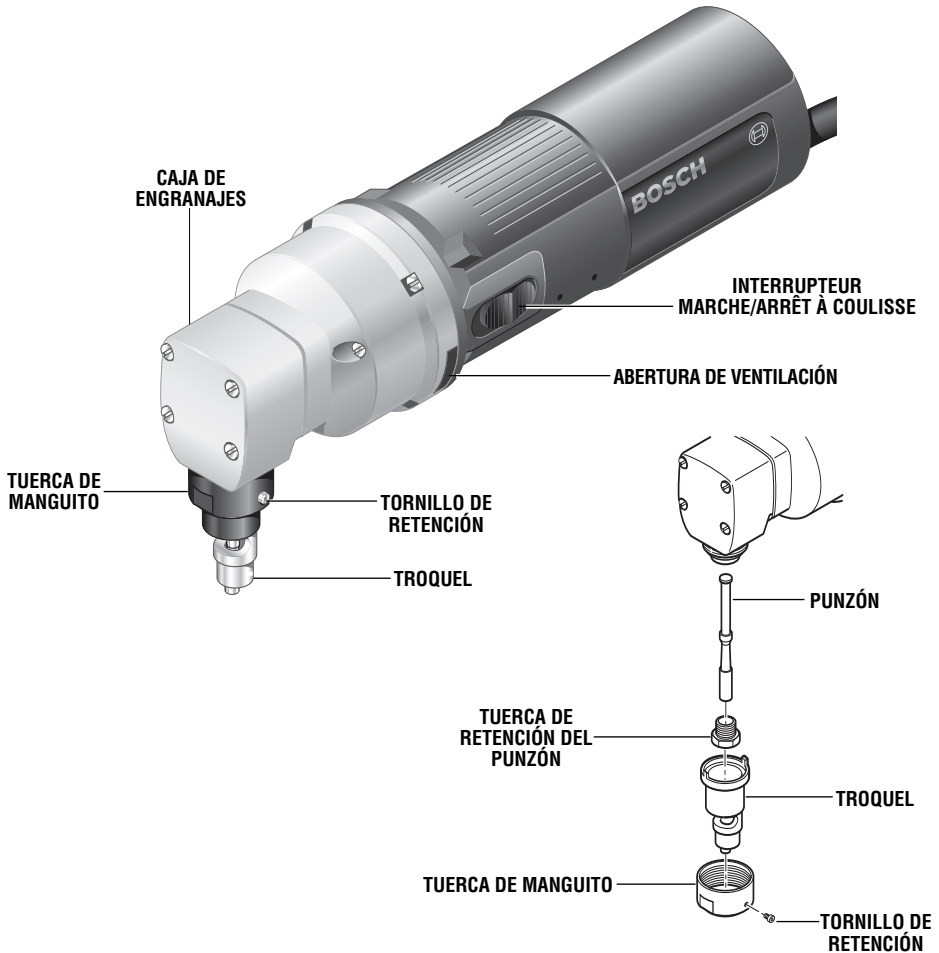


Este símbolo indica que esta herramienta está catalogada por Underwriters Laboratories y que Underwriters Laboratories la ha catalogado según las normas canadienses.

## Descripción funcional y especificaciones

**⚠ ADVERTENCIA** Desconecte el enchufe de la fuente de energía antes de realizar cualquier ensamblaje o ajuste, o cambiar accesorios. Estas medidas de seguridad preventivas reducen el riesgo de arrancar la herramienta accidentalmente.

### Recortadora de chapa



#### Capacidad de la recortadora de chapa:

Material	Intermitente	Continua
Acero suave	calibre 14 (.075")	Calibre 16 (.060")
Casi todo el alum.	(0.100")	Calibre 18 (.048")
Casi todo el acero inoxidable	Calibre 16 (.060")	

## Ensamblaje

### CAMBIO DE PUNZONES Y TROQUELES

#### Cambio de troqueles

1. Afloje el tornillo de retención. Este tornillo fija el troquel en una posición.
2. Después de aflojar el tornillo de retención, desenrosque la tuerca de manguito con una llave de gancho de 1 1/4" (32 mm).
3. Quite la tuerca de manguito junto con el troquel.
4. Lubrique la tuerca de manguito y el troquel con un aceite ligero y realice de nuevo el ensamblaje en orden inverso.

#### Cambio de punzones

1. Afloje el tornillo de retención y desenrosque la tuerca de manguito con una llave de gancho de 1 1/4" (32 mm).

2. Quite la tuerca de manguito junto con el troquel.
3. Desenrosque la tuerca de retención del punzón y deslice el punzón hasta sacarlo de la caja de engranajes.
4. Introduzca un punzón nuevo y bien engrasado y realice de nuevo el ensamblaje en orden inverso.

### CAMBIO DE LA POSICIÓN DEL TROQUEL TROQUEL DE 3 POSICIONES

1. Afloje el tornillo de retención y quite la tuerca de manguito junto con el troquel.
2. Gire el troquel hasta una cualquiera de las posiciones fijas en la caja de engranajes.
3. Reinstale la tuerca de manguito y apriete el tornillo de retención.

## Instrucciones de funcionamiento

### INFORMACIÓN GENERAL

El seguir unos cuantos consejos sencillos reducirá el desgaste de la herramienta y la posibilidad de lesiones del usuario.

Con la herramienta desenchufada de la fuente de energía y el interruptor "ON/OFF" (de encendido y apagado) en la posición "OFF" (apagado), familiarícese con el manejo de la recortadora de chapa y apréndase la ubicación de sus partes.

Antes de poner en marcha la recortadora de chapa, inspeccione el punzón y el troquel para ver si se ha producido un desgaste excesivo y cámbielos si es necesario.

No exceda la capacidad recomendada para esta recortadora de chapa. El fallo prematuro del punzón y del troquel se producirá cuando la recortadora de chapa se utiliza para material de un calibre inferior o superior al recomendado.

Nunca arranque la recortadora de chapa con el punzón y el troquel en contacto con el material que se esté cortando.

Para lograr cortes mejor hechos y rápidos, sujete la recortadora de chapa de manera que la cabeza de corte se encuentre en ángulo recto respecto a la trayectoria de corte, con el cuerpo de la herramienta paralelo a las corrugaciones. Mueva la cabeza de corte hacia adentro y hacia afuera de las corrugaciones, manteniendo constantemente la cabeza en ángulo recto respecto al material que se esté cortando.

Haga avanzar la recortadora de chapa por la pieza de trabajo con una presión mínima. Deje que la herramienta haga el trabajo. Si la recortadora de chapa no corta

correctamente, compruebe si el punzón o el troquel están desafilados. El desafilado será evidente cuando se requiera más presión para hacer avanzar la recortadora de chapa por el material. También aparecerán rebabas a lo largo del borde cortado. Un material más duro desafilará el punzón y el troquel más deprisa que un material blando.

Dirija siempre el cordón hacia la parte posterior y alejándose de la recortadora de chapa. Manténgalo alejado de bordes afilados.

Fije o sujete con abrazadera las piezas de trabajo pequeñas que se van a cortar para evitar que se produzca resbalamiento.

Use siempre un lubricante recomendado para el material que se esté cortando. La falta de lubricante reducirá la vida del punzón y del troquel.

### INTERRUPTOR CORREDIZO "ON-OFF" (DE ENCENDIDO Y APAGADO)

La herramienta se enciende (posición "ON") con el interruptor corredizo ubicado al lado de la caja del motor.

PARA ENCENDER LA HERRAMIENTA (POSICION "ON"): deslice el interruptor hacia adelante.

PARA APAGAR LA HERRAMIENTA (POSICION "OFF"): deslice el interruptor hacia atrás.

Arranque la herramienta antes de aplicarla a la pieza de trabajo. Levante la herramienta de la pieza de trabajo antes de soltar el interruptor. NO encienda y apague el interruptor mientras la herramienta está sometida a carga; esto acortará enormemente la vida del interruptor.

### LUBRICACIÓN DEL PUNZÓN Y DEL TROQUEL

La lubricación adecuada es esencial para prolongar la vida del punzón y del troquel, y se logra sumergiendo ocasionalmente por completo el punzón y el troquel en un pequeño recipiente que contenga el lubricante adecuado.

Para asegurarse más de que se logre un corte suave y una larga vida del punzón, lubrique siempre la trayectoria de corte con aceite para cortar. Al cortar acero o acero inoxidable, lubrique la trayectoria de corte antes de comenzar a trabajar. Al cortar aluminio,

lubrique la trayectoria de corte mientras realiza el corte. Como el punzón corta en la carrera descendente, se debe lubricar el lado superior del corte.

Al cortar acero, use un aceite para cortar o un aceite de viscosidad SAE 30.

Al cortar aluminio se debe usar una mezcla de 7 partes de queroseno y 3 partes de trementina.

Si el punzón se atasca, apague la recortadora de chapa inmediatamente, relubrique el punzón y el troquel y quite la tensión de la chapa.

## “Consejos para la herramienta”

La recortadora de chapa corrugada está diseñada especialmente para trabajar con chapas corrugadas de perfiles tanto trapezoidales como rectangulares.

Use siempre ambas manos para guiar la recortadora de chapa.

No ejerza fuerza; esto llevará a un desgaste prematuro del troquel y del punzón.

Antes de hacer funcionar la recortadora de chapa, asegúrese de que el punzón y el troquel estén lubricados adecuadamente. Vea la sección “Lubricación del punzón y del troquel”.

Nunca arranque la recortadora de chapa con el punzón y el troquel en contacto con el material que se esté cortando.

Asegúrese siempre de que el material esté apoyado en el troquel inferior durante la operación.

**Recorte de chapa siguiendo líneas marcadas:** Para realizar un corte recto, sujete firmemente el troquel para que no gire, apretando el tornillo de retención. Los cortes rectos se hacen fácilmente guiando la recortadora de chapa a lo largo del borde de una regla.

**Cortes de curvas:** Para cortar curvas, afloje el tornillo de retención. El troquel quedará entonces libre para girar y autoposicionarse en el sentido de corte.

**Cortes internos:** Para realizar cortes internos se requiere un agujero de inicio de 9/16" (16 mm) para que pueda introducirse el troquel.

**Recorte de chapa siguiendo una plantilla:** La parte inferior del troquel sigue la plantilla. Tenga en cuenta que debido a que hay una distancia de 3/16" (4.5 mm) entre la plantilla y el borde de corte del troquel a ambos lados, el tamaño del recorte y de la plantilla no se corresponden exactamente. Se debe aflojar el tornillo de retención.

**Corte a pulso:** Para lograr que el troquel se mueva fácilmente alrededor del punzón, se requieren accesorios adicionales. Se pueden comprar a su distribuidor Bosch un portatroquel y troqueles accesorios para material corrugado o plano. Consulte el catálogo Bosch para obtener los números de pieza de los accesorios.



## Mantenimiento

### Servicio

**⚠ ADVERTENCIA** El mantenimiento preventivo realizado por personal no autorizado puede dar lugar a la colocación incorrecta de cables y componentes internos que podría constituir un peligro serio. Recomendamos que todo el servicio de las herramientas sea realizado por un Centro de servicio de fábrica Bosch o por una Estación de servicio Bosch autorizada.

### LUBRICACION DE LAS HERRAMIENTAS

Su herramienta Bosch ha sido lubricada adecuadamente y está lista para la utilización. Se recomienda que las herramientas con engranajes se vuelvan a engrasar con un lubricante especial para engranajes en cada cambio de escobillas.

### ESCOBILLAS DE CARBÓN

Las escobillas y el conmutador de la herramienta han sido diseñados para muchas horas de servicio fiable. Para mantener un rendimiento óptimo del motor, recomendamos que cada dos a seis meses se examinen las escobillas. Sólo se deben usar escobillas de repuesto Bosch genuinas diseñadas específicamente para su herramienta.

### RODAMIENTOS

Después de 300-400 horas de funcionamiento, o después de cada segundo cambio de escobillas, los

rodamientos deben cambiarse en un Centro de servicio de fábrica Bosch o en una Estación de servicio Bosch autorizada. Los rodamientos que se vuelven ruidosos (debido a la pesada carga o al corte de materiales muy abrasivos) deben ser sustituidos inmediatamente para evitar el sobrecalentamiento o el fallo del motor.

### Limpieza

**⚠ ADVERTENCIA** Para evitar accidentes desconecte siempre la herramienta de la fuente de energía antes de la limpieza o de la realización de cualquier mantenimiento. La herramienta se puede limpiar más eficazmente con aire comprimido seco. Use gafas de seguridad siempre que limpie herramientas con aire comprimido.

Las aberturas de ventilación y las palancas de interruptor deben mantenerse limpias y libres de materias extrañas. No intente limpiar introduciendo objetos puntiagudos a través de las aberturas.

**⚠ PRECAUCION** Ciertos agentes de limpieza y disolventes dañan las piezas de plástico. Algunos de estos son: gasolina, tetracloruro de carbono, disolventes de limpieza clorados, amoníaco y detergentes domésticos que contienen amoníaco.

## Accesorios

**⚠ ADVERTENCIA** Si es necesario un cordón de extensión, se debe usar un cordón con conductores de tamaño adecuado que sea capaz de transportar la corriente necesaria para la herramienta. Esto evitará caídas de tensión excesivas, pérdida de potencia o recalentamiento. Las herramientas conectadas a tierra deben usar cordones de extensión de 3 hilos que tengan enchufes de 3 terminales y receptáculos para 3 terminales.

**NOTA:** Cuanto más pequeño es el número de calibre, más grueso es el cordón.

### TAMAÑOS RECOMENDADOS DE CORDONES DE EXTENSION HERRAMIENTAS DE 120 V CORRIENTE ALTERNA

Capacidad nominal en amperes de la herramienta	Tamaño del cordón en A.W.G.				Tamaños del cable en mm <sup>2</sup>			
	Longitud del cordón en pies				Longitud del cordón en metros			
	25	50	100	150	15	30	60	120
3-6	18	16	16	14	0,75	0,75	1,5	2,5
6-8	18	16	14	12	0,75	1,0	2,5	4,0
8-10	18	16	14	12	0,75	1,0	2,5	4,0
10-12	16	16	14	12	1,0	2,5	4,0	—
12-16	14	12	—	—	—	—	—	—

\* Punzón 2 608 639 013

\* Troquel de 3 posiciones 2 608 639 904

\*\* Troquel basculante 2 608 639 901

\*\* Estuche de transporte

(\* = equipo estándar)

(\*\* = accesorios opcionales)

**Notes:**

**Remarques :**  
**Notas:**

### LIMITED WARRANTY OF BOSCH PORTABLE AND BENCHTOP POWER TOOLS

Robert Bosch Tool Corporation ("Seller") warrants to the original purchaser only, that all BOSCH portable and benchtop power tools will be free from defects in material or workmanship for a period of one year from date of purchase. SELLER'S SOLE OBLIGATION AND YOUR EXCLUSIVE REMEDY under this Limited Warranty and, to the extent permitted by law, any warranty or condition implied by law, shall be the repair or replacement of parts, without charge, which are defective in material or workmanship and which have not been misused, carelessly handled, or misrepaired by persons other than Seller or Authorized Service Station. To make a claim under this Limited Warranty, you must return the complete portable or benchtop power tool product, transportation prepaid, to any BOSCH Factory Service Center or Authorized Service Station. For Authorized BOSCH Power Tool Service Stations, please refer to your phone directory.

THIS LIMITED WARRANTY DOES NOT APPLY TO ACCESSORY ITEMS SUCH AS CIRCULAR SAW BLADES, DRILL BITS, ROUTER BITS, JIGSAW BLADES, SANDING BELTS, GRINDING WHEELS AND OTHER RELATED ITEMS.

ANY IMPLIED WARRANTIES SHALL BE LIMITED IN DURATION TO ONE YEAR FROM DATE OF PURCHASE. SOME STATES IN THE U.S., SOME CANADIAN PROVINCES DO NOT ALLOW LIMITATIONS ON HOW LONG AN IMPLIED WARRANTY LASTS, SO THE ABOVE LIMITATION MAY NOT APPLY TO YOU.

IN NO EVENT SHALL SELLER BE LIABLE FOR ANY INCIDENTAL OR CONSEQUENTIAL DAMAGES (INCLUDING BUT NOT LIMITED TO LIABILITY FOR LOSS OF PROFITS) ARISING FROM THE SALE OR USE OF THIS PRODUCT. SOME STATES IN THE U.S. AND SOME CANADIAN PROVINCES DO NOT ALLOW THE EXCLUSION OR LIMITATION OF INCIDENTAL OR CONSEQUENTIAL DAMAGES, SO THE ABOVE LIMITATION OR EXCLUSION MAY NOT APPLY TO YOU.

THIS LIMITED WARRANTY GIVES YOU SPECIFIC LEGAL RIGHTS, AND YOU MAY ALSO HAVE OTHER RIGHTS WHICH VARY FROM STATE TO STATE IN THE U.S., PROVINCE TO PROVINCE IN CANADA AND FROM COUNTRY TO COUNTRY.

THIS LIMITED WARRANTY APPLIES ONLY TO PORTABLE AND BENCHTOP ELECTRIC TOOLS SOLD WITHIN THE UNITED STATES OF AMERICA, CANADA AND THE COMMONWEALTH OF PUERTO RICO. FOR WARRANTY COVERAGE WITHIN OTHER COUNTRIES, CONTACT YOUR LOCAL BOSCH DEALER OR IMPORTER.

### GARANTIE LIMITÉE DES OUTILS ÉLECTRIQUES PORTATIFS ET D'ÉTABLI BOSCH

Robert Bosch Tool Corporation (le « vendeur ») garantit à l'acheteur initial seulement que tous les outils électriques portatifs et d'établi BOSCH seront exempts de vices de matériaux ou d'exécution pendant une période d'un an depuis la date d'achat. LA SEULE OBLIGATION DU VENDEUR ET LE SEUL RECOURS DE L'ACHETEUR sous la présente garantie limitée, et en autant que la loi le permette sous toute garantie ou condition implicite qui en découlerait, sera l'obligation de remplacer ou réparer gratuitement les pièces défectueuses matériellement ou comme fabrication, pourvu que lesdites défectosités ne soient pas attribuables à un usage abusif ou à quelque réparation bricolée par quelqu'un d'autre que le vendeur ou le personnel d'une station-service agréée. Pour présenter une réclamation en vertu de cette garantie limitée, vous devez renvoyer l'outil électrique portatif ou d'établi complet, port payé, à tout centre de service agréé ou centre de service usine. Veuillez consulter votre annuaire téléphonique pour les adresses.

LA PRÉSENTE GARANTIE NE S'APPLIQUE PAS AUX ACCESSOIRES TELS QUE LAMES DE SCIES CIRCULAIRES, MÊCHES DE PERCEUSES, FERS DE TOUPIES, LAMES DE SCIES SAUTEUSES, COURROIES DE PONÇAGE, MEULES ET AUTRES ARTICLES DU GENRE.

TOUTE GARANTIE IMPLICITE SERA LIMITÉE COMME DURÉE À UN AN À COMPTER DE LA DATE D'ACHAT. CERTAINS ÉTATS AMÉRICAINS, CERTAINES PROVINCES CANADIENNES N'ADMETTANT PAS LE PRINCIPE DE LA LIMITATION DE LA DURÉE DES GARANTIES IMPLICITES, IL EST POSSIBLE QUE LES LIMITATIONS CI-DESSUS NE S'APPLIQUENT PAS À VOTRE CAS.

EN AUCUN CAS LE VENDEUR NE SAURAIT ÊTRE TENU POUR RESPONSABLE DES INCIDENTS OU DOMMAGES INDIRECTS (INCLUANT, MAIS NE SE LIMITANT PAS AUX PERTES DE PROFITS) CONSÉQUENTS À LA VENTE OU L'USAGE DE CE PRODUIT. CERTAINS ÉTATS AMÉRICAINS ET CERTAINES PROVINCES CANADIENNES N'ADMETTANT PAS LE PRINCIPE DE LA LIMITATION NI L'EXCLUSION DES DOMMAGES INDIRECTS ET CONSÉQUENTIELS, IL EST POSSIBLE QUE LES LIMITATIONS OU EXCLUSIONS CI-DESSUS NE S'APPLIQUENT PAS À VOTRE CAS.

LA PRÉSENTE GARANTIE VOUS ACCORDE DES DROITS BIEN DÉTERMINÉS, Y COMPRIS POSSIBLEMENT CERTAINS DROITS VARIABLES DANS LES DIFFÉRENTS ÉTATS AMÉRICAINS, PROVINCES CANADIENNES ET DE PAYS À PAYS.

CETTE GARANTIE LIMITÉE NE S'APPLIQUE QU'ÀUX OUTILS ÉLECTRIQUES PORTATIFS ET D'ÉTABLI VENDUS AUX ÉTATS-UNIS D'AMÉRIQUE, AU CANADA ET AU COMMONWEALTH DE PORTO RICO. POUR COUVERTURE DE GARANTIE DANS LES AUTRES PAYS, CONTACTEZ VOTRE IMPORTATEUR OU REVENDEUR BOSCH LOCAL.

### GARANTIA LIMITADA PARA HERRAMIENTAS MECANICAS PORTATILES Y PARA TABLERO DE BANCO BOSCH

Robert Bosch Tool Corporation ("el Vendedor") garantiza, únicamente al comprador original, que todas las herramientas mecánicas portátiles y para tablero de banco BOSCH estarán libres de defectos de material o de fabricación durante un período de un año a partir de la fecha de compra. LA ÚNICA OBLIGACION DEL VENDEADOR Y EL RECURSO EXCLUSIVO QUE USTED TIENE bajo esta Garantía Limitada y, hasta donde la ley lo permita, bajo cualquier garantía o condición implícita por ley, consistirá en la reparación o sustitución sin costo de las piezas que presenten defectos de material o de fabricación y que no hayan sido utilizadas incorrectamente, manejadas descuidadamente o reparadas incorrectamente por personas que no sean el Vendedor o una Estación de servicio autorizada. Para efectuar una reclamación bajo esta Garantía Limitada, usted debe devolver el producto, que consiste en la herramienta mecánica portátil o para tablero de banco completa, con el transporte pagado, a cualquier Centro de servicio de fábrica o Estación de servicio autorizada. Para Estaciones de servicio autorizadas de herramientas mecánicas BOSCH, por favor, consulte el directorio telefónico.

ESTA GARANTIA LIMITADA NO SE APLICA A ARTICULOS ACCESORIOS TALES COMO HOJAS PARA SIERRAS CIRCULARES, BROCAS PARA TALADROS, BROCAS PARA FRESADORAS, HOJAS PARA SIERRAS DE VAIVEN, CORREAS PARA LIJAR, RUEDAS DE AMOLAR Y OTROS ARTICULOS RELACIONADOS.

TODAS LAS GARANTIAS IMPLICITAS TENDRAN UNA DURACION LIMITADA A UN AÑO A PARTIR DE LA FECHA DE COMPRA. ALGUNOS ESTADOS DE LOS EE.UU. Y ALGUNAS PROVINCIAS CANADIENSES NO PERMITEN LIMITACIONES EN CUANTO A LA DURACION DE UNA GARANTIA IMPLICITA, POR LO QUE ES POSIBLE QUE LA LIMITACION ANTERIOR NO SEA APLICABLE EN EL CASO DE USTED.

EL VENDEADOR NO SERA RESPONSABLE EN NINGUN CASO DE NINGUN DAÑO INCIDENTAL O EMERGENTE (INCLUYENDO PERO NO LIMITADO A RESPONSABILIDAD POR PERDIDA DE BENEFICIOS) QUE SE PRODUZCA COMO CONSECUENCIA DE LA VENTA O UTILIZACION DE ESTE PRODUCTO. ALGUNOS ESTADOS DE LOS EE.UU. Y ALGUNAS PROVINCIAS CANADIENSES NO PERMITEN LA EXCLUSION O LIMITACION DE LOS DAÑOS INCIDENTALES O EMERGENTES, POR LO QUE ES POSIBLE QUE LA LIMITACION O EXCLUSION ANTERIOR NO SEA APLICABLE EN EL CASO DE USTED.

ESTA GARANTIA LIMITADA LE CONFIERE A USTED DERECHOS LEGALES ESPECIFICOS Y ES POSIBLE QUE USTED TAMBIEN TENGA OTROS DERECHOS QUE VARIAN DE ESTADO A ESTADO EN LOS EE.UU., DE PROVINCIA A PROVINCIA EN CANADA Y DE UN PAIS A OTRO.

ESTA GARANTIA LIMITADA SE APLICA SOLAMENTE A HERRAMIENTAS ELECTRICAS PORTATILES Y PARA TABLERO DE BANCO VENDIDAS EN LOS ESTADOS UNIDOS DE AMERICA, CANADA Y EL ESTADO LIBRE ASOCIADO DE PUERTO RICO. PARA COBERTURA DE GARANTIA EN OTROS PAISES, PONGASE EN CONTACTO CON SU DISTRIBUIDOR O IMPORTADOR LOCAL DE BOSCH.

© Robert Bosch Tool Corporation 1800 W. Central Road Mt. Prospect, IL 60056 -2230

Exportado por: Robert Bosch Tool Corporation Mt. Prospect, IL 60056 -2230, E.U.A.

Importado en México por: Robert Bosch, S.A. de C.V., Calle Robert Bosch No. 405, Zona Industrial, Toluca, Edo. de México, C.P. 50070, Tel. (722) 2792300